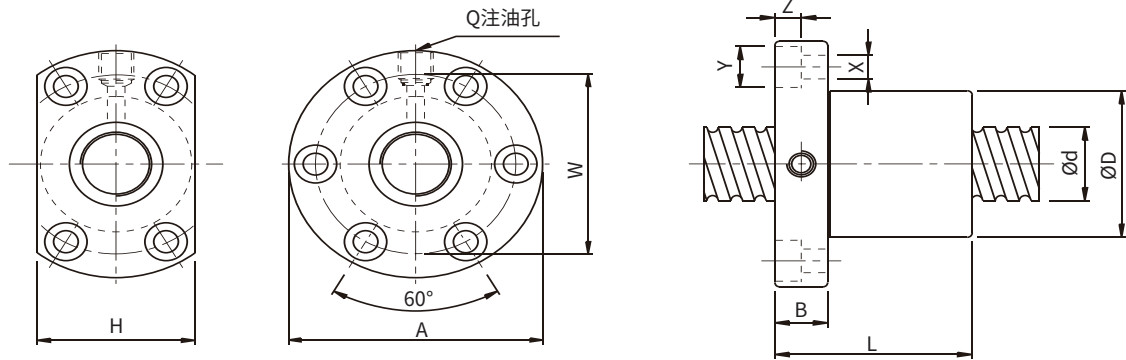


SFI/SFNI系列规格尺寸表



公称型号 Model No	轴径 Shaft diameter d	导程 lead l	珠径 Steel ball diameter Da	螺母尺寸(mm) Nut size											额定 动载荷 Basic Dynamic Load Rating Ca	额定 静载荷 Basic Staic Load Rating Coa	刚性 Rigidity K	重量 Weight	
				D	A	B	L	W	H	X	Y	Z	Q	n				螺母 Nut	丝杆轴 Screw shaft
				kgf	kgf	Kgf/ μ m	kg	kg/m											
☆ SFIR1605-4	16	5	3.175	30	49	10	50	39	34	4.5	8	4.5	M6x1	1x4	888	1525	33	0.22	1.56
☆ SFIR1610-3		10	3.175	34	58	10	57	45	34	5.5	9.5	5.5	M6x1	1x3	716	1232	27	0.382	1.56
☆ SFIR2005-4	20	5	3.175	34	57	11	51	45	40	5.5	9.5	5.5	M6x1	1x4	999	1994	39	0.308	2.45
☆ SFIR2505-4	25	5	3.175	40	63	11	51	51	46	5.5	9.5	5.5	M8x1	1x4	1119	2581	45	0.96	3.83
☆ SFIR2510-4		10	4.762	46	72	12	85	58	52	6.5	11	6.5	M8x1	1x4	1903	3695	51	0.802	3.81
☆ SFIR3205-4	32	5	3.175	46	72	12	52	58	52	6.5	11	6.5	M8x1	1x4	1264	3402	52	0.471	6.29
☆ SFIR3210-4		10	6.35	54	88	15	90	70	62	9	14	8.5	M8x1	1x4	3092	6101	62	1.14	6.23
☆ SFIR4005-4	40	5	3.175	56	90	15	55	72	64	9	14	8.5	M8x1	1x4	1407	4341	59	0.84	9.84
☆ SFIR4010-4		10	6.35	62	104	18	93	82	70	11	17.5	11	M8x1	1x4	3480	7779	72	1.548	9.78
☆ SFIR5010-4	50	10	6.35	72	114	18	93	92	82	11	17.5	11	M8x1	1x4	3898	10325	83	1.924	15.33
☆ SFIR6310-4	63	10	6.35	85	131	22	98	107	95	14	20	13	M8x1	1x4	4401	13611	95	2.674	24.39
☆ SFIR8010-4	80	10	6.35	105	150	22	98	127	115	14	20	13	M8x1	1x4	4900	17366	109	3.892	39.38
☆ SFNIR1605-4	16	5	3.175	30	49	10	45	39	34	4.5	8	4.5	M6x1	1x4	1380	3052	33	0.22	1.56
☆ SFNIR1610-3		10	3.175	34	58	10	57	45	34	5.5	9.5	5.5	M6x1	1x3	1103	2401	27	0.382	1.56
☆ SFNIR2005-4	20	5	3.175	34	57	11	51	45	40	5.5	9.5	5.5	M6x1	1x4	1551	3875	39	0.308	2.45
☆ SFNIR2505-4	25	5	3.175	40	63	11	51	51	46	5.5	9.5	5.5	M8x1	1x4	1724	4903	45	0.96	3.83
☆ SFNIR2510-4		10	4.762	46	72	12	80	58	52	6.5	11	6.5	M8x1	1x4	2954	7186	51	0.802	3.81
☆ SFNIR3205-4	32	5	3.175	46	72	12	52	58	52	6.5	11	6.5	M8x1	1x4	1922	6340	52	0.471	6.29
☆ SFNIR3210-4		10	6.35	54	88	15	85	70	62	9	14	8.5	M8x1	1x4	4805	12209	62	1.14	6.23
☆ SFNIR4005-4	40	5	3.175	56	90	15	85	72	64	9	14	8.5	M8x1	1x4	2110	7988	59	0.84	9.84
☆ SFNIR4010-4		10	6.35	62	104	18	88	82	70	11	17.5	11	M8x1	1x4	5399	1550	72	1.548	9.78
☆ SFNIR5010-4	50	10	6.35	72	114	18	88	92	82	11	17.5	11	M8x1	1x4	6004	19605	83	1.924	15.33
☆ SFNIR6310-4	63	10	6.35	85	131	22	93	107	95	14	20	13	M8x1	1x4	6719	25359	95	2.674	24.39
☆ SFNIR8010-4	80	10	6.35	105	150	22	93	127	115	14	20	13	M8x1	1x4	7346	31953	109	3.892	39.38

注：有标注☆记号的可制作左旋丝杆